

Z545 16" DIAMETER HEAVY-DUTY DRAIN



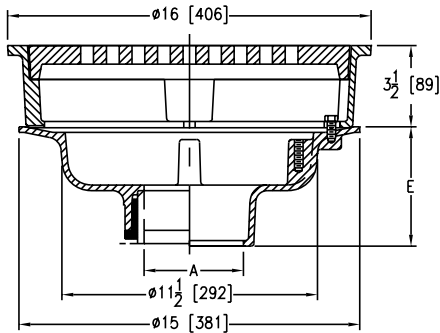
ENGINEERING SPECIFICATION

Zurn Z545 16" diameter top drain features Dura-Coated cast iron body with bottom outlet, seepage pan, and combination membrane flashing clamp and frame for heavy-duty cast iron, slotted grate.

NOTES

*Add 3/16" to 3-1/2" dimension for ZB and ZN

A Pipe Size inch [mm]	Grate Open Area sq in [cm ²]	Approximate Weight lb [kg]
2 [51], 3 [76], 4 [102], 6 [152]	45 [290]	69 [31]
8 [203]		71 [32]



PREFIXES	DESCRIPTION	PIPE SIZE	LIST PRICE
Z545*	D.C.C.I. Body and Top	2", 3", 4", 6", 8"	2,390.00
ZB545	D.C.C.I. Body with Polished Bronze Top	2", 3", 4", 6", 8"	4,732.00
ZN545	D.C.C.I. Body with Polished Nickel Bronze Top	2", 3", 4", 6", 8"	5,037.00

OUTLETS (SPECIFY PIPE SIZE IN INCHES AND TYPE OF OUTLET)				
OUTLET TYPE		PIPE SIZE/OUTLET TYPE	E BODY HT. DIM.	ADD
IC	Inside Caulk	3IC, 4IC	5-1/4"	N/C
IG	Inside Gasket	3IG, 4IG	5-1/4"	N/C
IP	Threaded	2IP, 3IP, 4IP, 6IP, 8IP	3-3/4"	80.00
NH	No-Hub	2NH, 3NH, 4NH, 6NH, 8NH	5-1/4"	N/C
NL	Neo-Loc	2NL, 3NL, 4NL	4-5/8"	N/C
SUFFIXES				ADD
-DG	Duresist Grate			655.00
-G	Galvanized Cast Iron			1,322.00
-P	Trap Primer Connection			150.00
Ⓢ -TC	Neo-Loc Test Cap Gasket (2", 3", 4" NL Bottom Outlet Only)			24.00
-VP	Vandal-Proof Secured Top			206.00
BEST SELLERS				LIST PRICE
Z545-3NH				2,390.00
Z545-4NL				2,390.00

Supplied By:



877-903-7246

www.commercialplumbingsupply.com